

Dynameco®

Dynamit Nobel Defence GmbH
Dr.-Hermann-Fleck-Allee 8
57299 Burbach, Germany
Tel.: (+49) 2736 46 2104
Fax.: (+49) 2736 46 2107
www.dynameco.com

Technical Data Sheet

Aerosol Fire Extinguishing Generator with thermal activator Dynameco 200 - TA08 (Thermal Activator)



Advantages / Benefits at a glance:

- Fire detection and extinguishing system all-in
- Independent system solution ; no electric power supply necessary- „stand alone“
- Available in different generator versions
Dynameco 200, 300 and 2000
- Simple installation and extensive system accessory
- Wide range of possibilities and flexible in different application fields
- System diversity of variants by the use of different requirements of temperature range (e.g. 57°, 68°, 79°, 93 °C)
- System accepting and planning reliability according high efficiency and international approvals

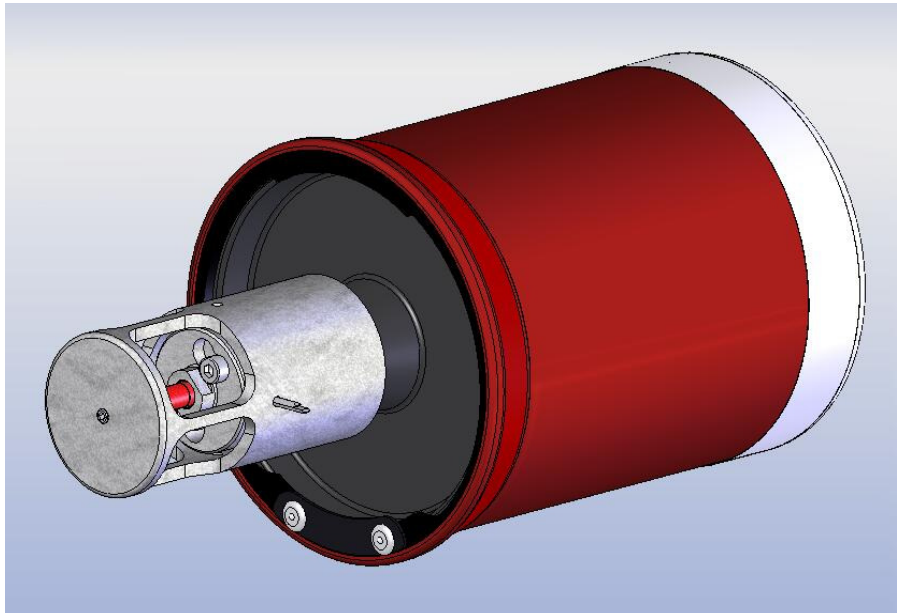
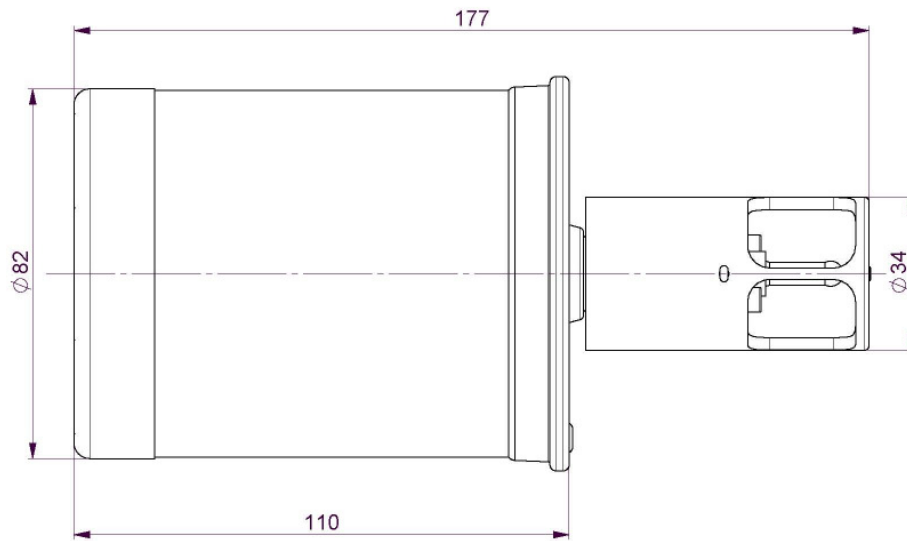
With **Dynameco -TA08** Dynamit Nobel Defence GmbH complemented the product range in the division of fire extinguishing systems. The new product offers a wide range of application in case of total flooding and object suppression. Apart from fire detection by the thermal activator, the fire is suppressed simultaneously and effectively by the approved aerosol generator. By means of combination the **Dynameco** is anymore effectively and efficiently. Low weight and low required space as well as easy installation enable the customer high flexibility and perfect integration by using in different application fields to suppress the fire.

Further technical details on request
Technical data subject to change without notice
Status: Nov. 2008

Dynameco®

Dynamit Nobel Defence GmbH
Dr.-Hermann-Fleck-Allee 8
57299 Burbach, Germany
Tel.: (+49) 2736 46 2104
Fax.: (+49) 2736 46 2107
www.dynameco.com

Dynameco 200 - TA08



Further technical details on request
Technical data subject to change without notice
Status: Nov. 2008

Dynameco®

Dynamit Nobel Defence GmbH
Dr.-Hermann-Fleck-Allee 8
57299 Burbach. Germany
Tel.: (+49) 2736 46 2104
Fax.: (+49) 2736 46 2107
www.dynameco.com

Dynameco 200 - TA08

SPECIFICATIONS

Dimensions:	H = 110/177 mm (without / with activator) D = 82 mm
Total weight:	approx. 1,225 kg
Duration of AEROSOL - generation:	approx. 5 s
Volume to be protected:	2,0 m ³

SYSTEM SPECIFIC DATA

Standard activate temperature:	57°, 68°, 79°, 93 °C (further temperature range on request)
Ignition time:	3 s after triggering of the glass bulb
Storage:	cool and dry
Function temperature generator:	-40°C to max. 15°C below stated trigger temperature
Certification:	BAM-PT ₁ – 1741
Approval mark:	PL-4 / 97 / Aerosollöschmittel
Fire class:	B (limited) and C according DIN EN2

SERVIC SPECIFIC DATA

Service life :	5 years
Advice:	attend the installation instructions

Further technical details on request
Technical data subject to change without notice
Status: Nov. 2008